

Overview and Status of LibreOffice Accessibility

Jacobo Aragunde Pérez

<http://blogs.igalia.com/jaragunde>

@JacoboAragunde



LibreOffice
The Document Foundation



2nd-5th September



igalia

Introduction to accessibility

Accessibility

“Make a product, device or environment available to as many people as possible”

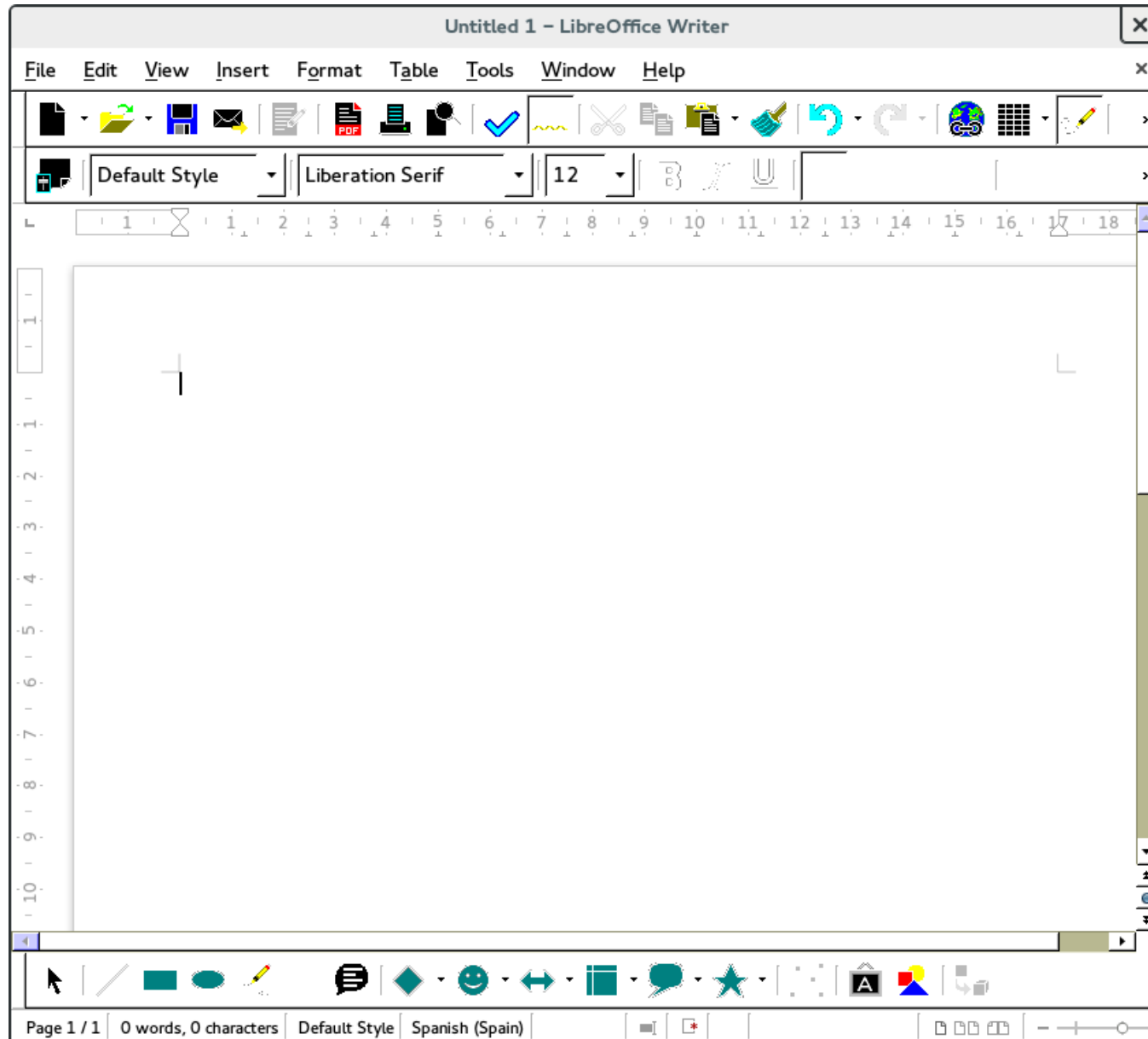
Assistive technologies

“Software, hardware, or a combination of hardware and software used to enable use of a computer by as many users as possible”

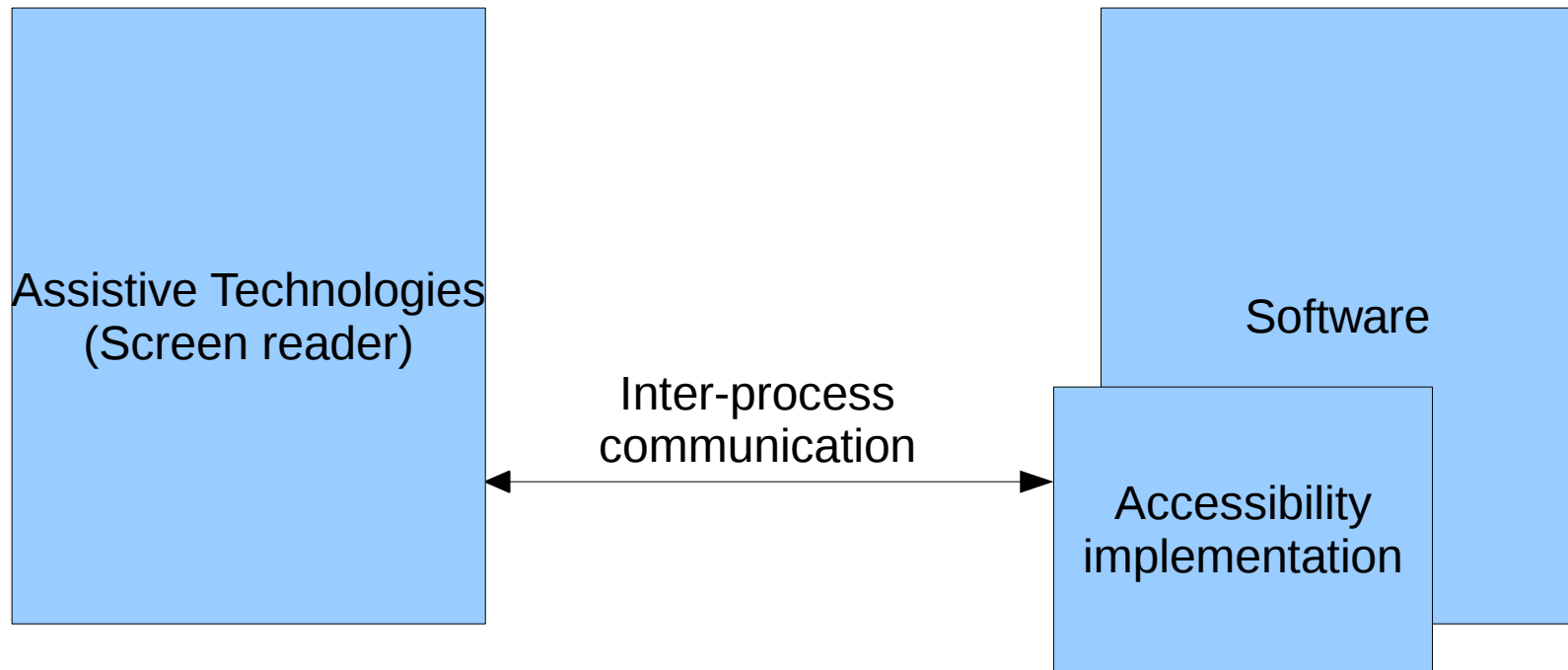
Some examples

- Hardware ATs
 - Adaptive input devices
 - Hearing aid
- Software ATs
 - Captioning
 - Magnifier
 - High contrast
 - Screen reader

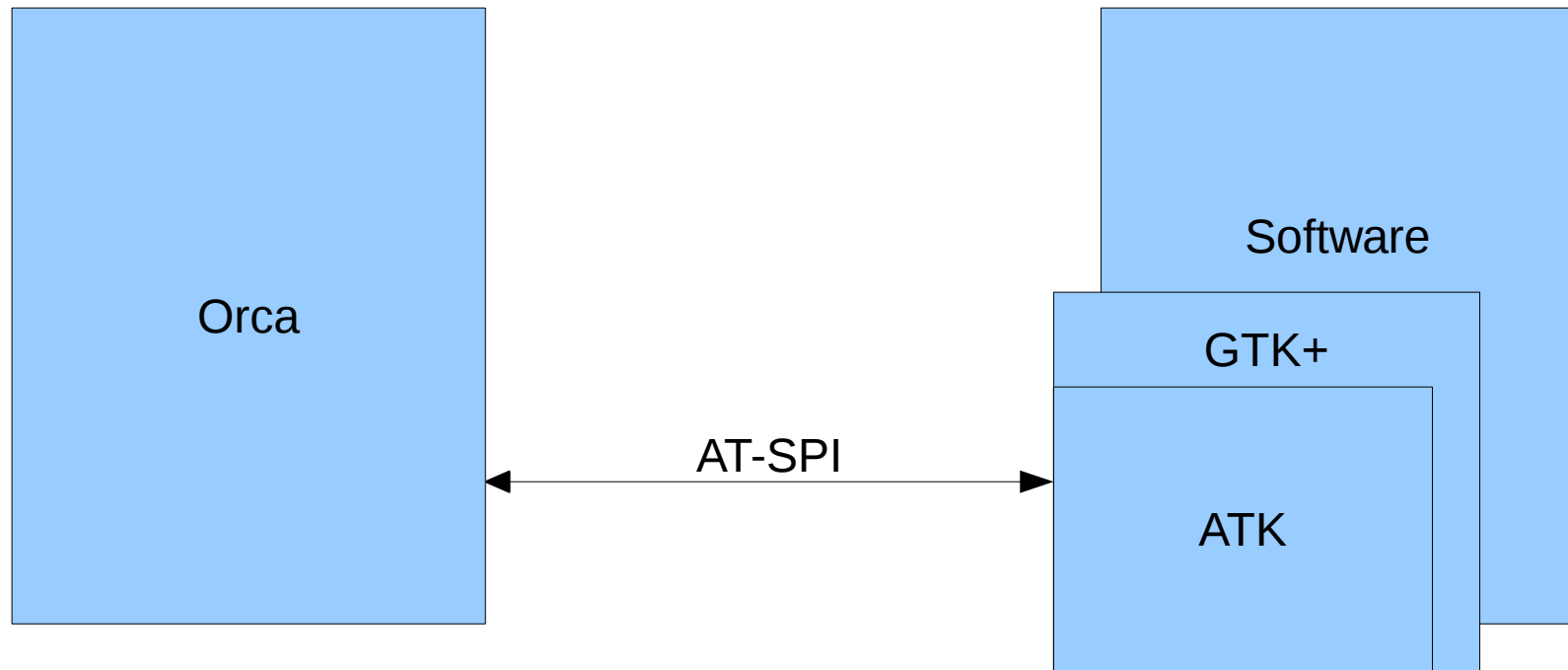
High contrast



Screen reader

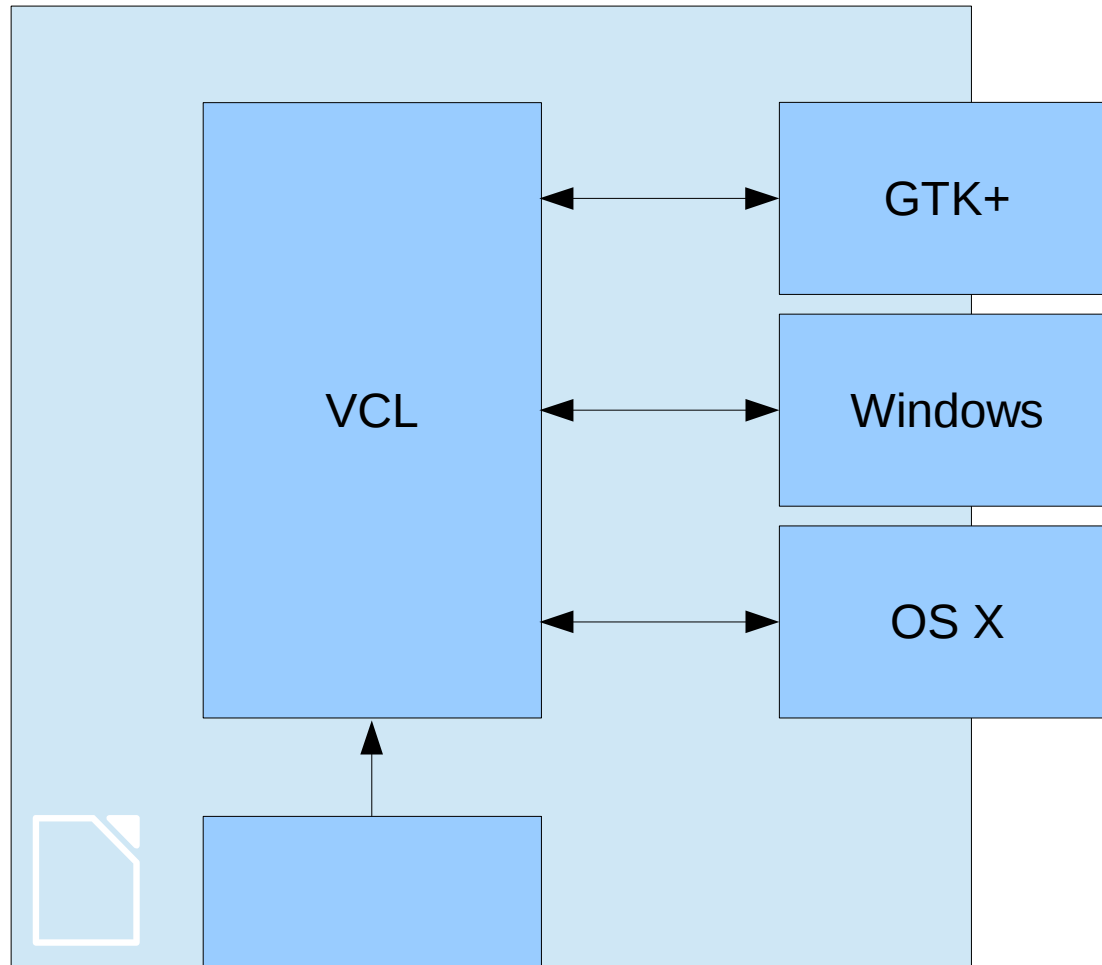


Screen reader (GNOME)

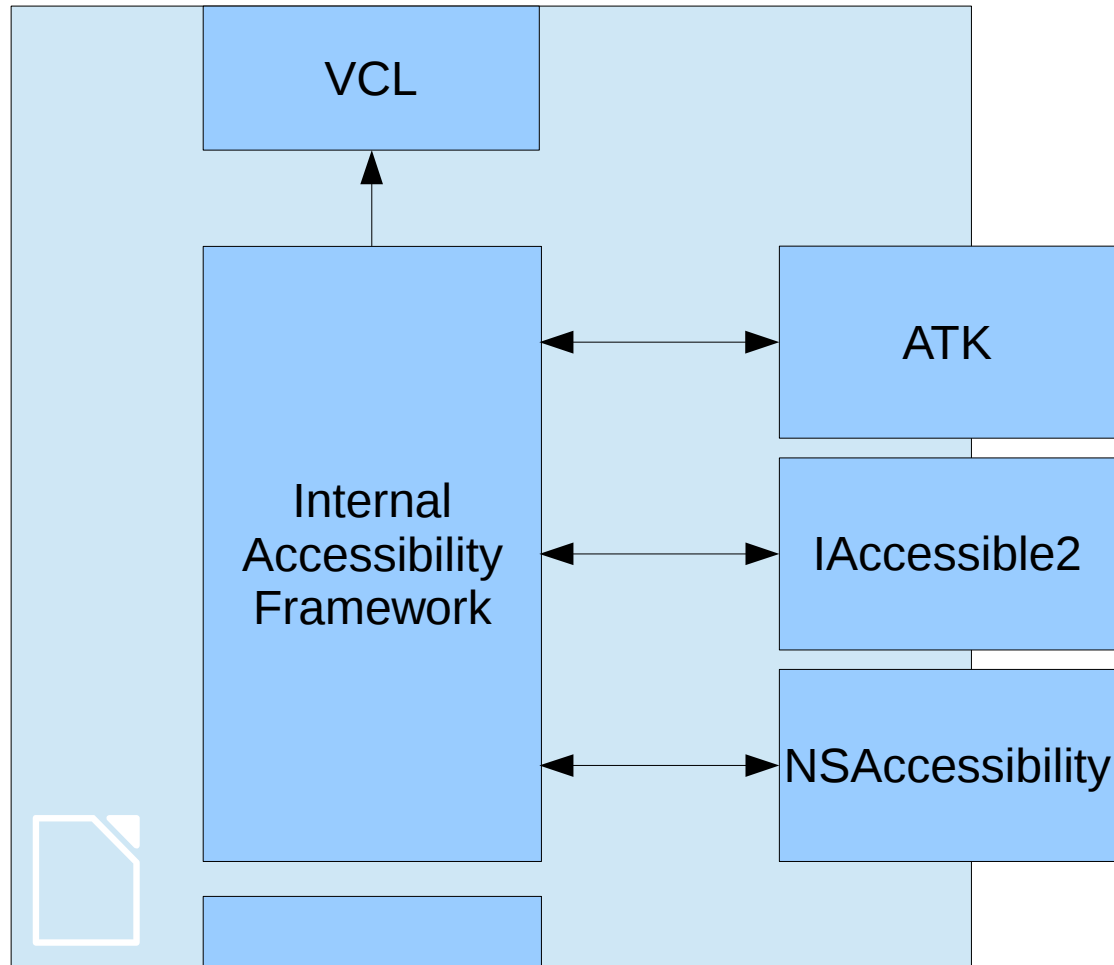


LibreOffice accessibility framework

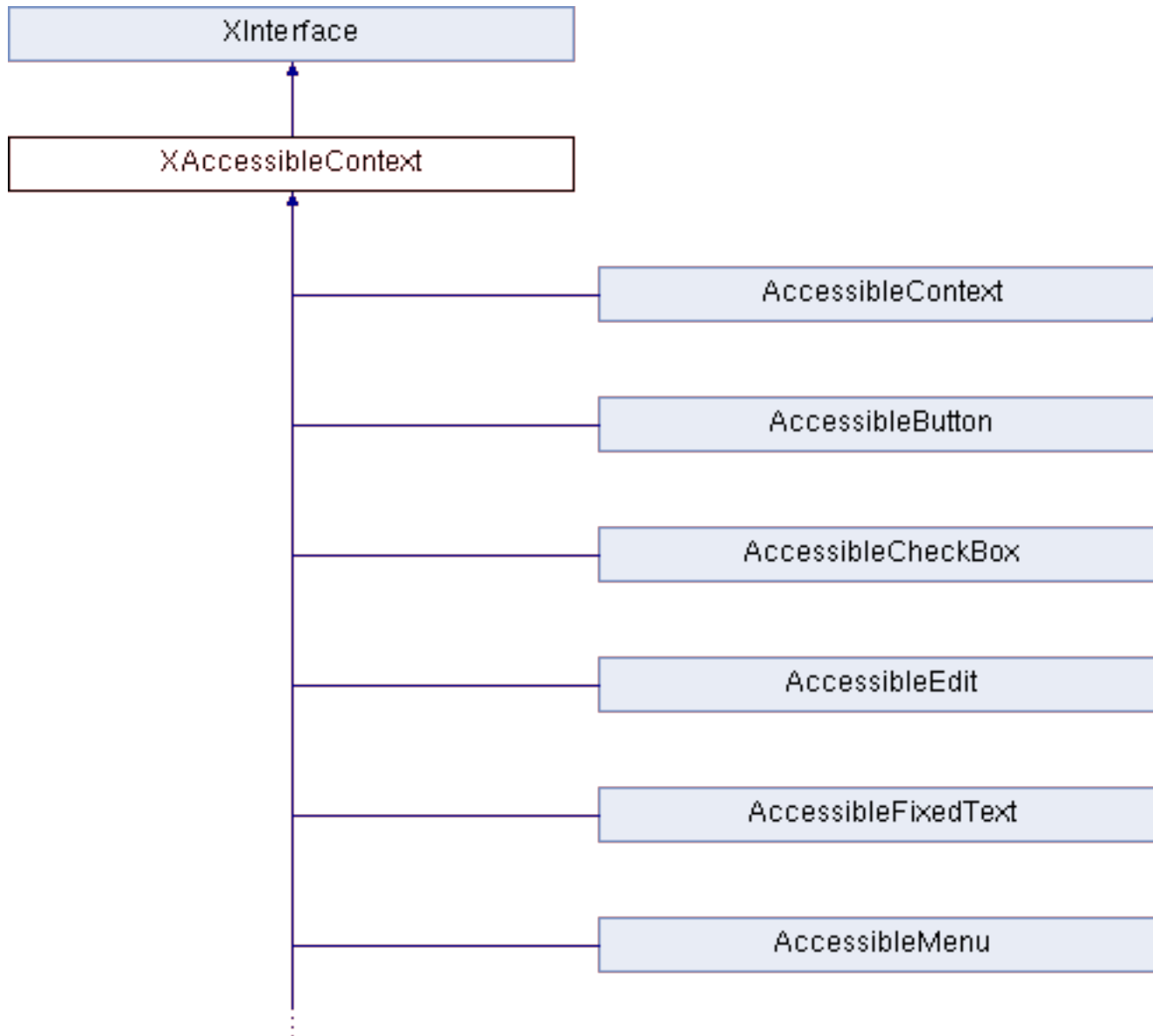
Architecture



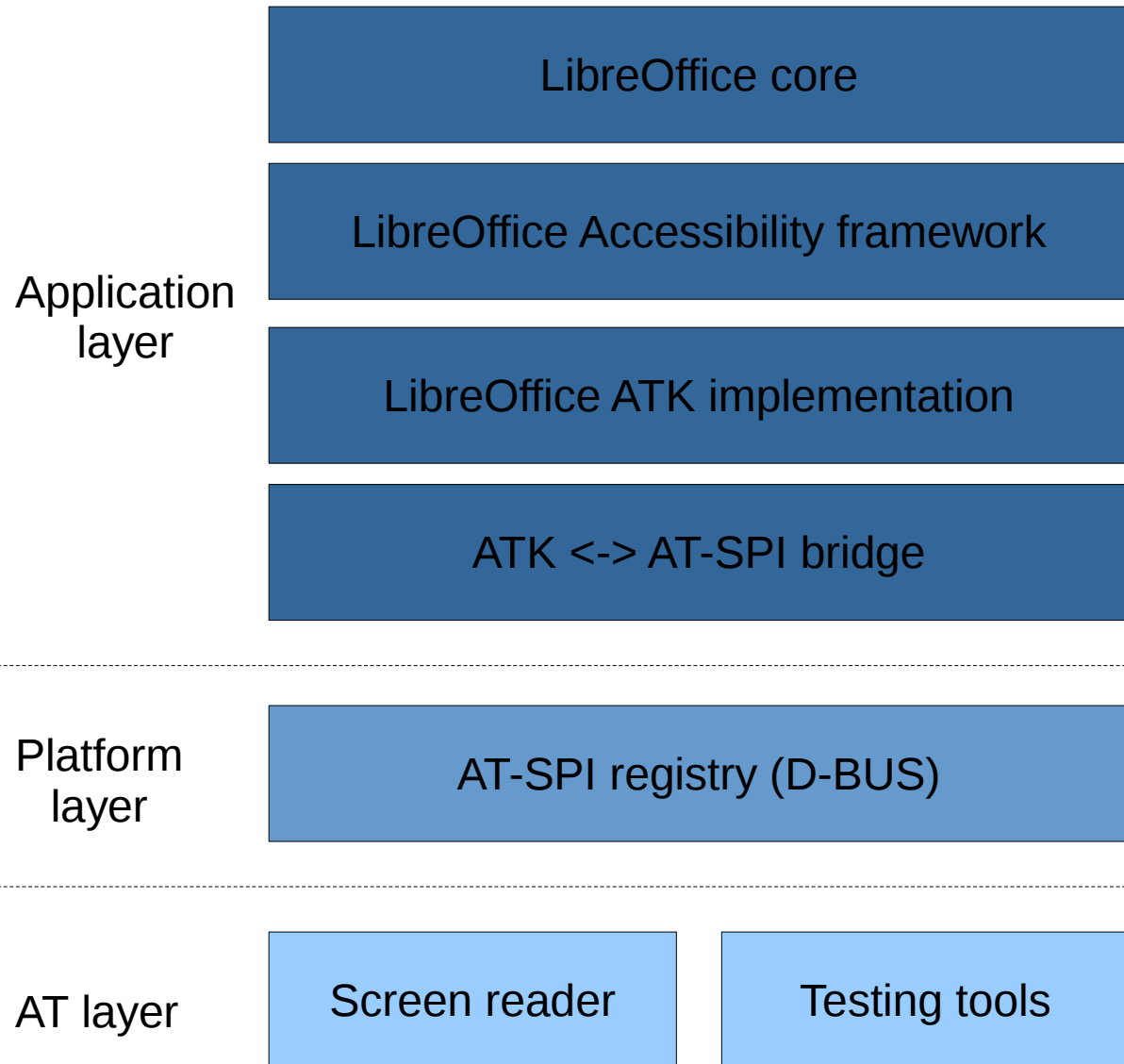
Architecture



Interfaces involved



Layers



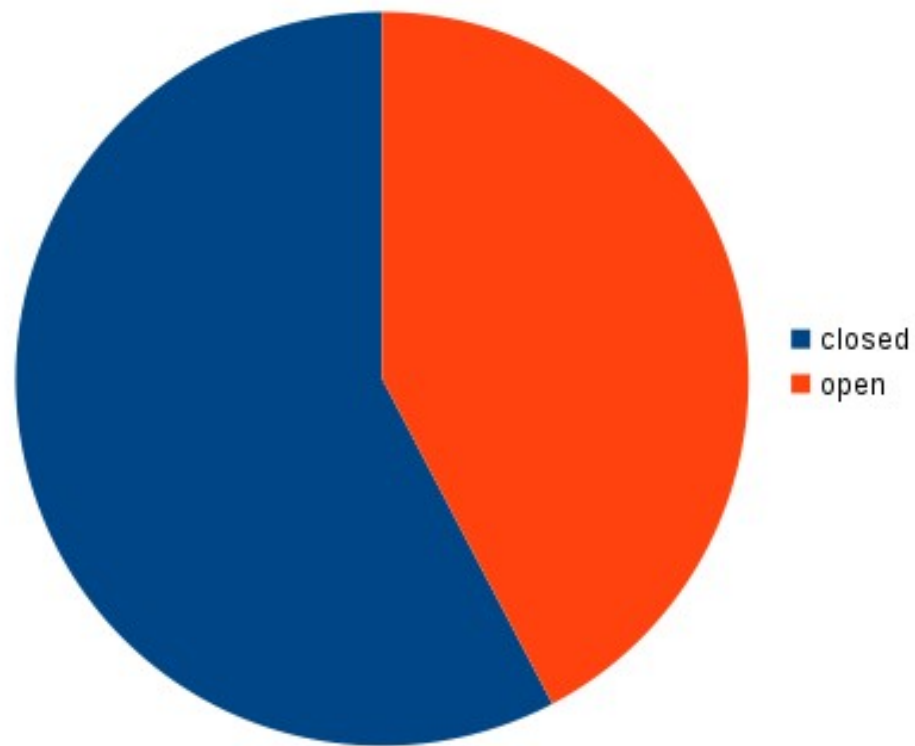
Health of LibreOffice accessibility

Bug metrics

- Sources:
 - [fdo#36549](#) - Tracking bug for issues affecting a11y ATK and GNOME Orca screen reader support
 - [fdo#55571](#) - Tracking bug for important issues related to the Mac OS X Accessibility API
 - [fdo#60251](#) - Tracking Metabug for Windows OS accessibility and AT issues

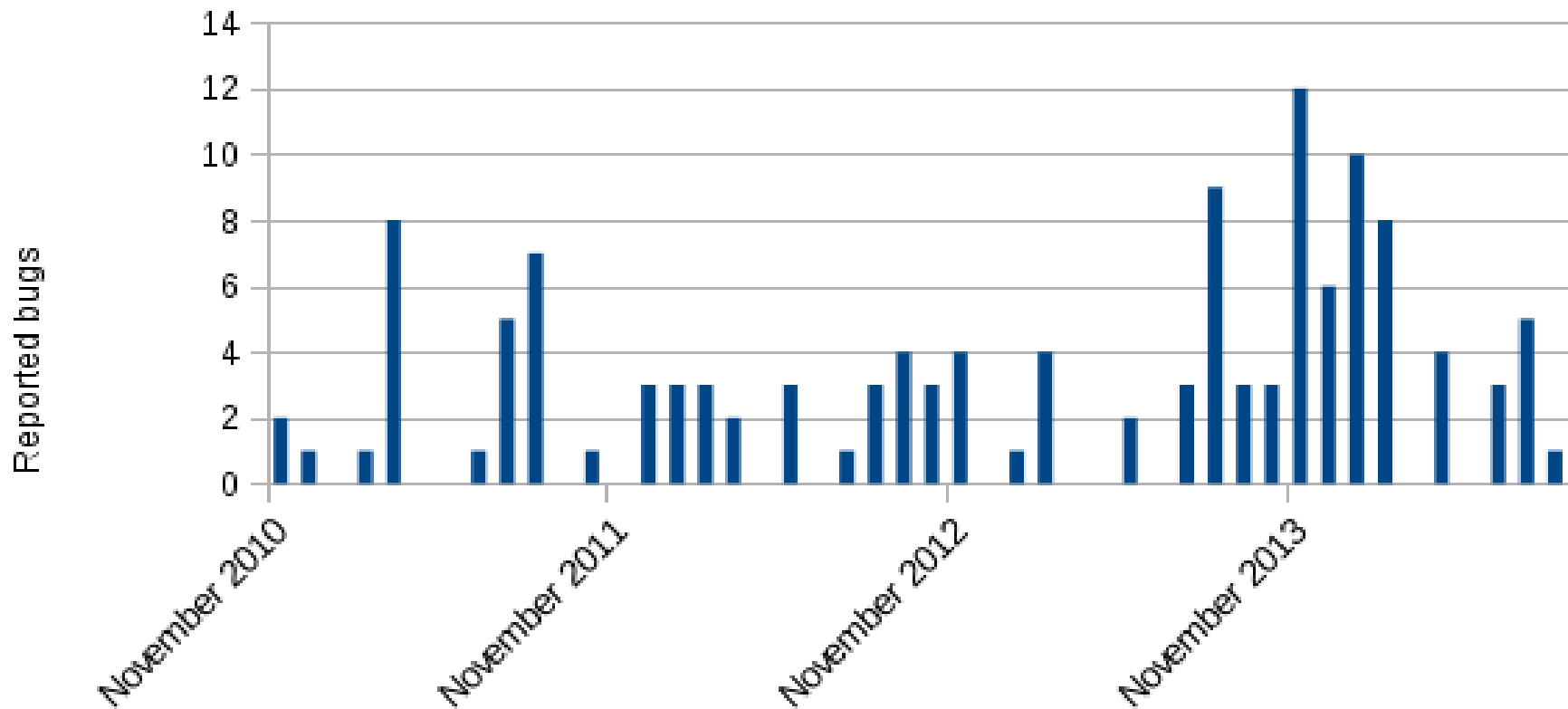
Bug metrics

- 130 bugs reported since November 2010
 - 55 open, 75 closed



Accessibility reports

Reported accessibility bugs per month



Current status



Current status

- It's been under real user for years
 - Reports increase, suggests an increase of users
- Of course, there are open bugs
 - Like in any software!

Thanks!



- Open Source experts and consultants
- More than 12 years of experience
- Proud sponsors of this conference



igalia